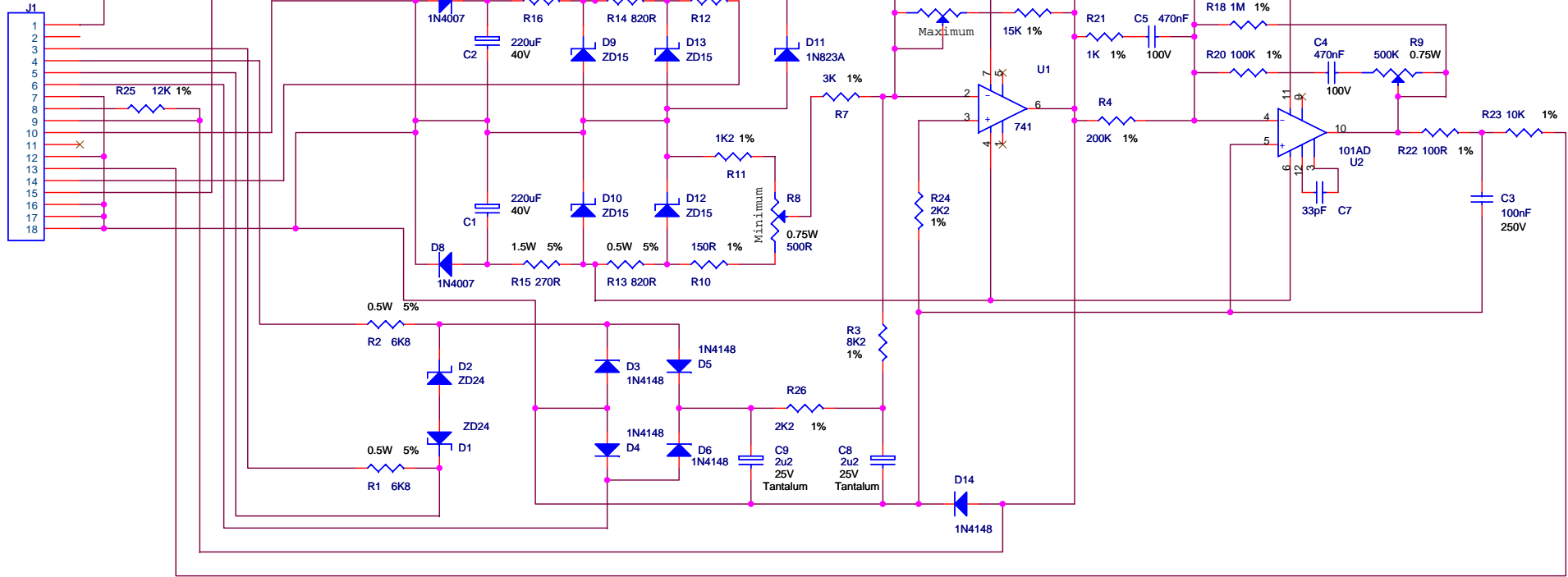


CONNECTOR 18



Title		
Title = Emission control board		
Size	Document Number	Rev
B	For EKS110	A
Date:	Wednesday, June 06, 2007	Sheet 1 of 1