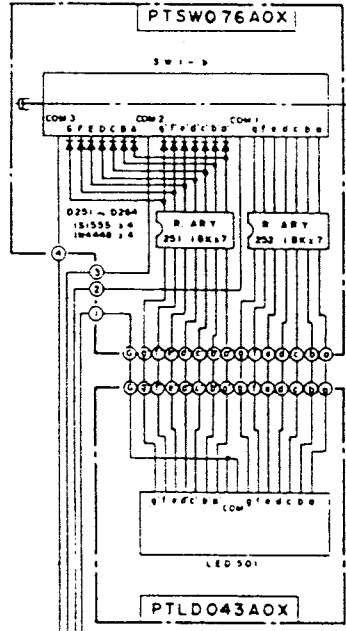
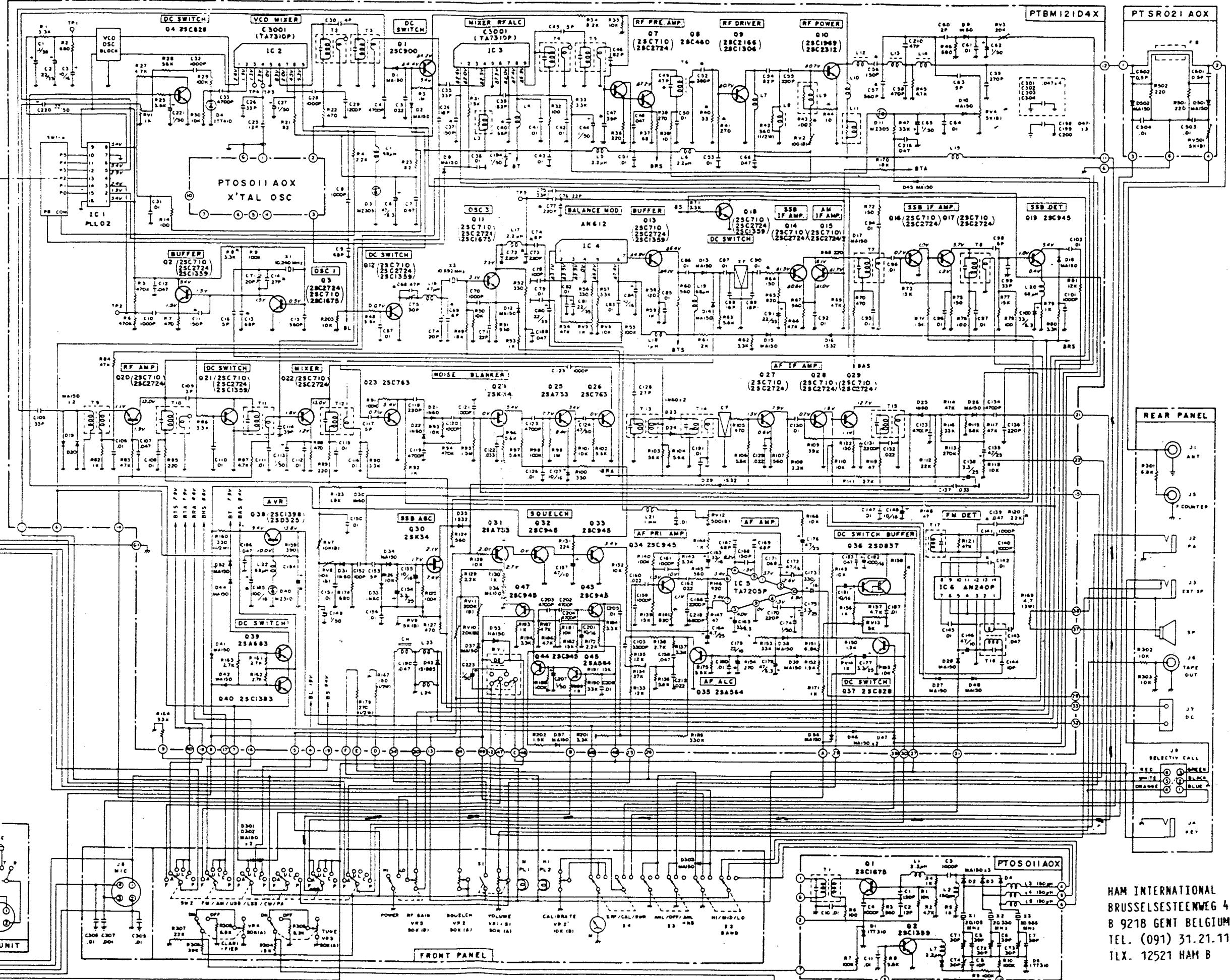
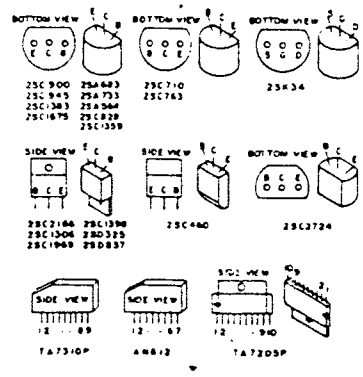


Schematic Diagram CONCORDE II

NOTE
 ALL VOLTAGES MEASURED FROM PC BOARD GROUND WITH DC VTVM AT NO SIGNAL (AT 13.8V POWER SUPPLY). IF MEASUREMENT VALUES OBTAINED ARE IN EXCESS OF 250% OF VALUES SHOWN THEN REASON FOR DIFFERENCE SHOULD BE CORRECTED.
 Δ TX □ LSB ▽ 1 AM TX
 ⊕ CHASSIS GND
 Δ PC BOARD GND
 * ADJUSTED TYPICAL VALUE SHOWN



TRANSISTOR BASE INFORMATION
 E SWITTER S SOURCE
 C COLLECTOR G GATE
 B BASE D DRAIN



HAM INTERNATIONAL
 BRUSSELESTEENWEG 428
 B 9218 GENT BELGIUM
 TEL. (091) 31.21.11
 TLX. 12521 HAM B