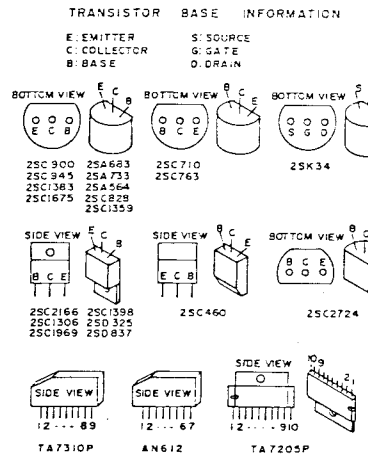
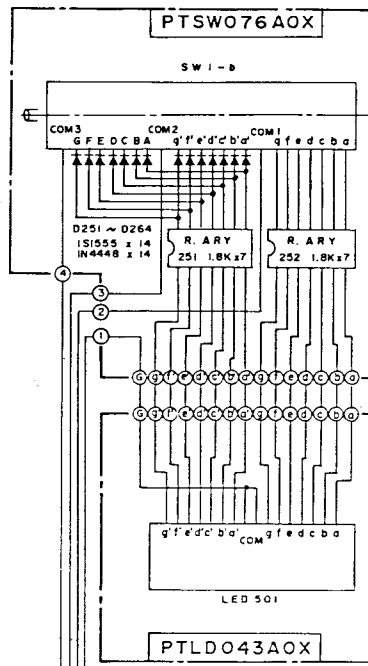
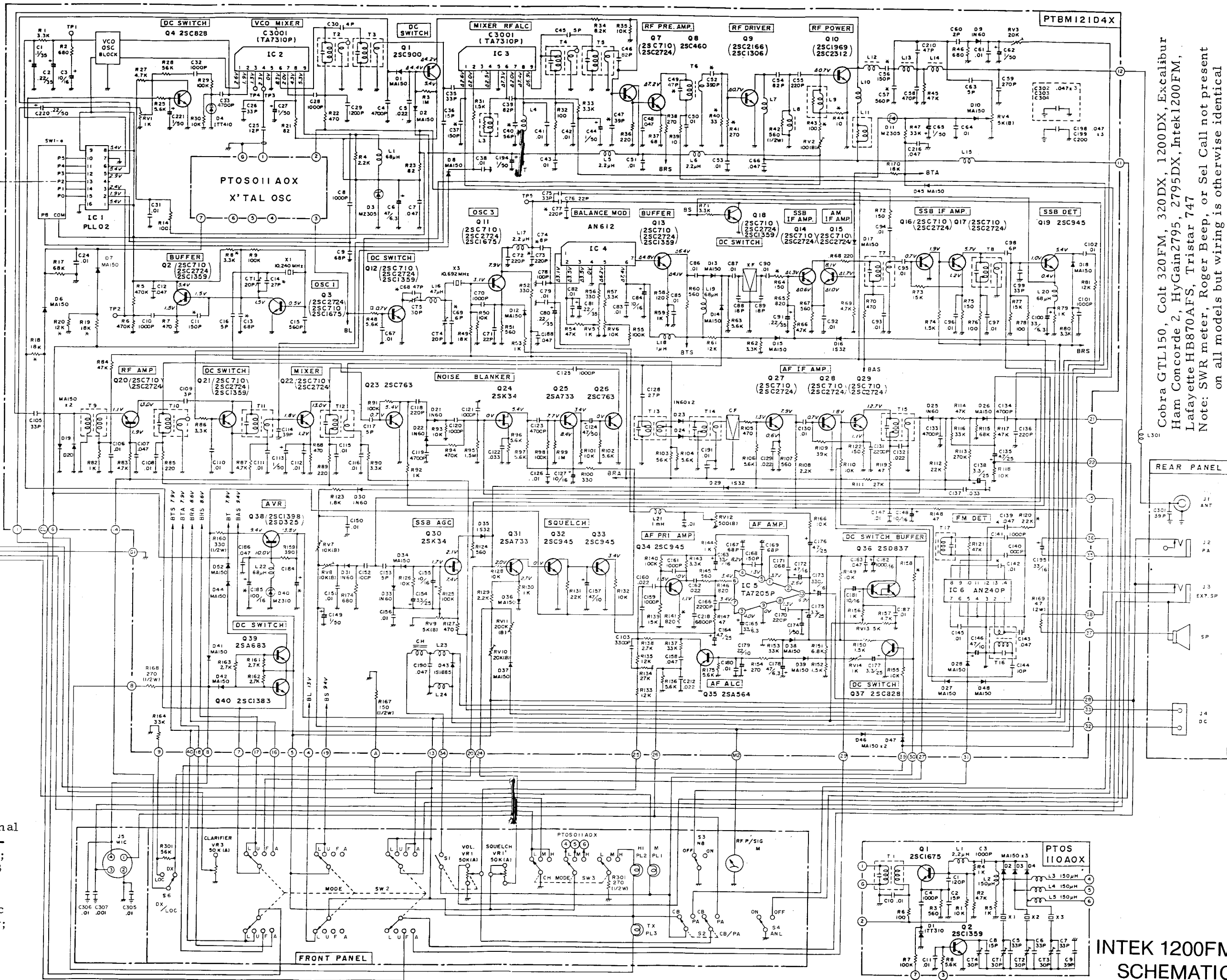


NOTE:
 ALL VOLTAGES MEASURED FROM PC BOARD GROUND WITH DC VTVM AT NO SIGNAL (AT 13.8V POWER SUPPLY) IF MEASUREMENT VALUES OBTAINED ARE IN EXCESS OF 20% OF VALUES SHOWN.
 THEN REASON FOR DIFFERENCE SHOULD BE CORRECTED
 Δ TX : 0 LSB : 1 AM TX
 ⊕ CHASSIS GND
 * PC BOARD GND
 * ADJUSTED (TYPICAL VALUE SHOWN)



RV1-FM Dev ; RV2 - Final Bias; RV3-RF Met; RV4-ALC; RV5, RV6-Car Bal; RV7-AM S-met; RV8-SSB S-met; RV9-AGC; RV10-AM SQ Range; RV11-SSB SQ Range; RV12-SSB Mic Gain; RV13- AM Carrier; RV14-AMC



Cobra GTL150, Colt 320FM, 320DX, 1200DX, Excalibur Ham Concorde 2, HyGain2795, 2795DX, Intek1200FM, Lafayette HB870AFS, Tristar 747
 Note: SWR meter, Roger Beep, or Sel Call not present on all models but wiring is otherwise identical

INTEK 1200FM SCHEMATIC DIAGRAM