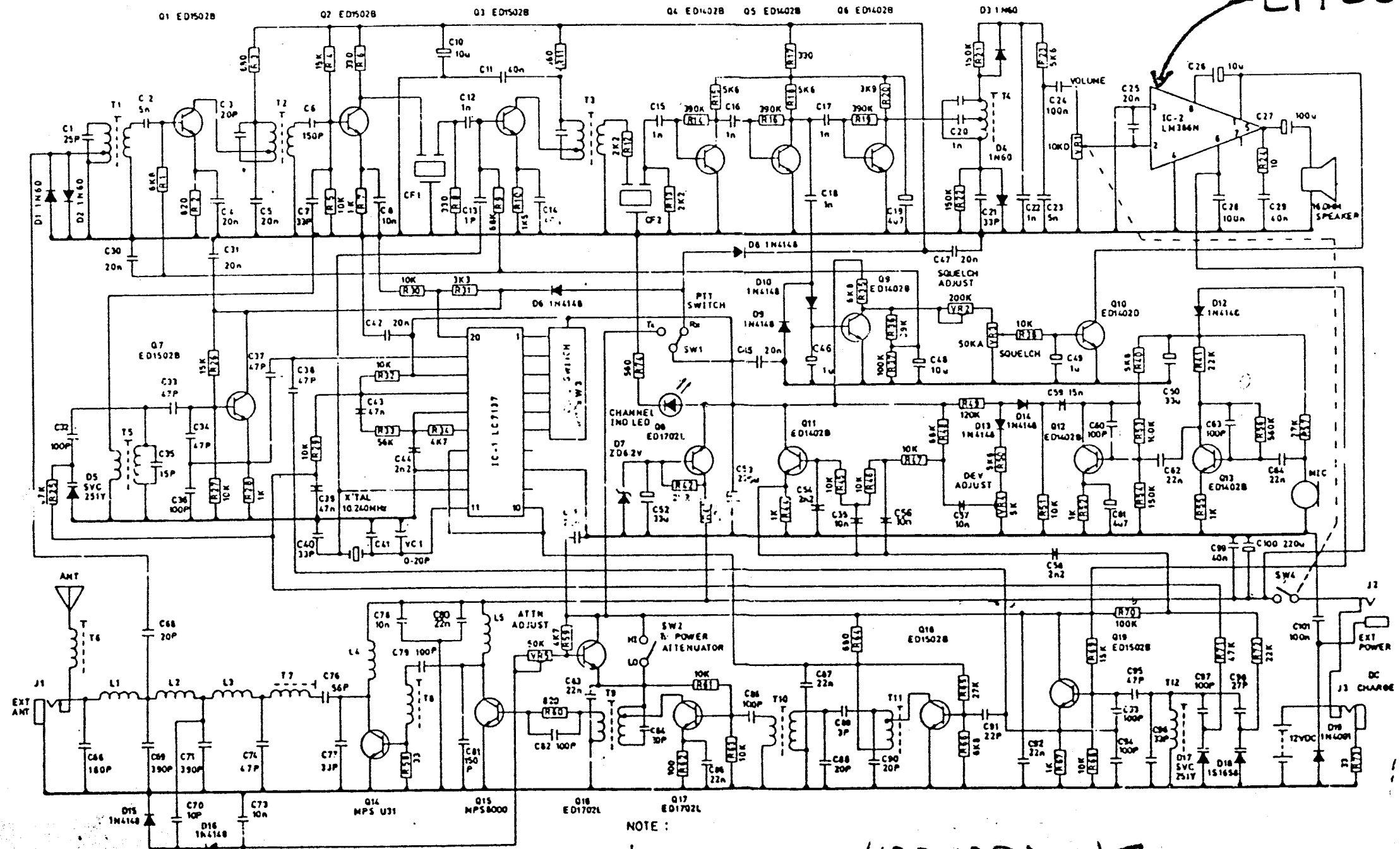


CIRCUIT DIAGRAM

LM386



NOTE :
 † MYLAR CAPACITOR

HARVARD WT44