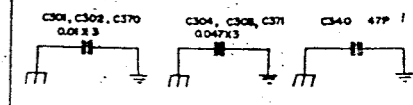
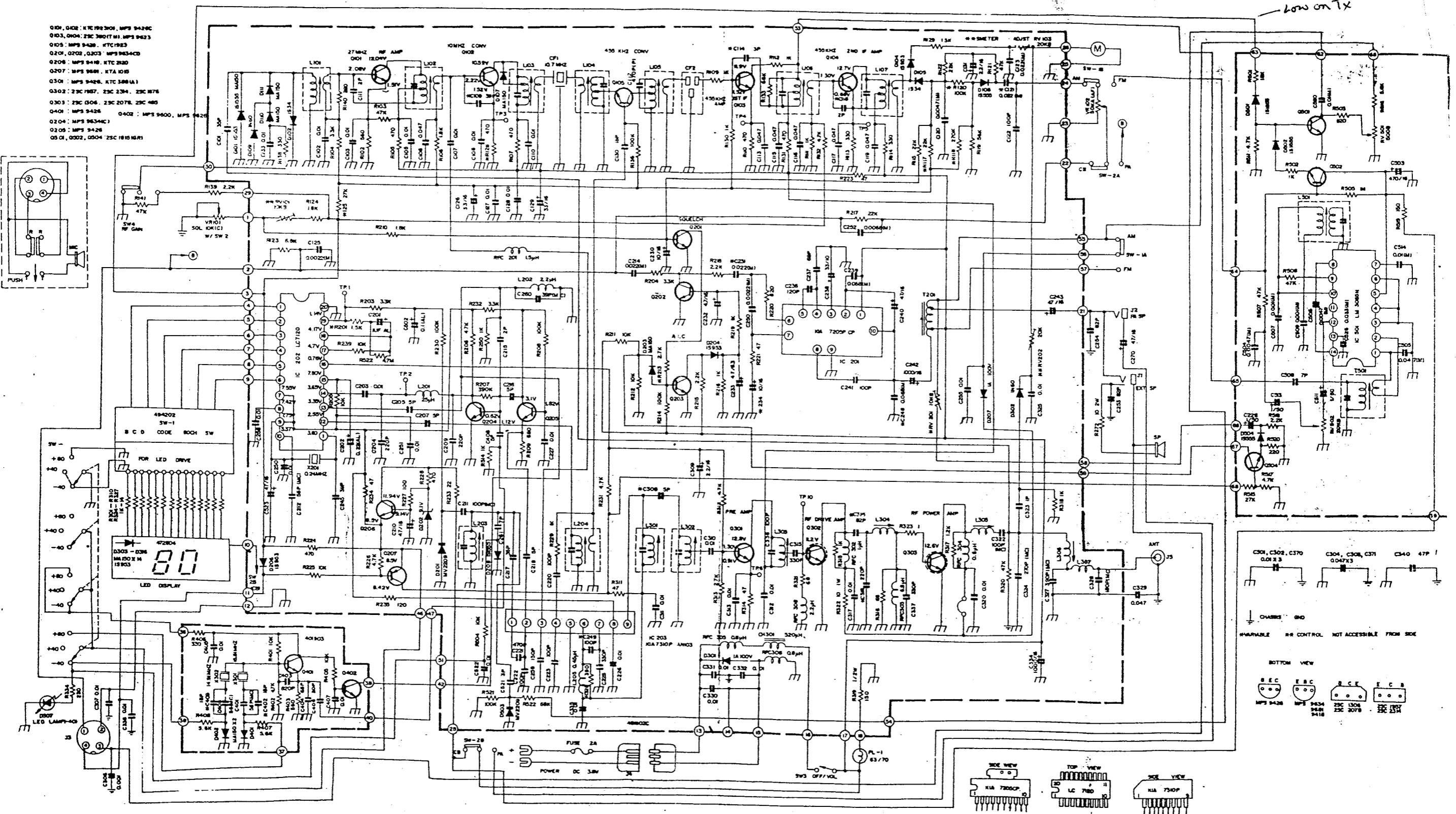
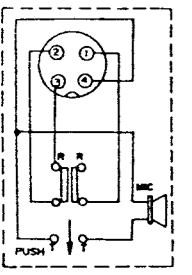
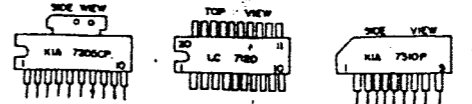
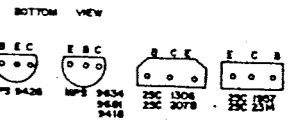


- Q101, Q102: KTC 192 3K01, MP3 9426C
- Q103, Q104: 23C 380 (T.M.) MP3 9423
- Q105: MP3 9426, KTC 1923
- Q201, Q202, Q203: MP3 9434C2
- Q204: MP3 9418, KTC 2320
- Q207: MP3 9426, KTA 1015
- Q301: MP3 9426, KTC 338 (A)
- Q302: 23C 1927, 23C 2334, 23C 1876
- Q303: 23C 1306, 23C 2078, 23C 1483
- Q401: MP3 9426
- Q402: MP3 9600, MP3 9426
- Q204: MP3 9434C1
- Q205: MP3 9426
- Q501, Q502, Q504: 23C 1815 (H)



CHASSIS GND
 VARIABLE R-R CONTROL NOT ACCESSIBLE FROM SIDE



COLT 510