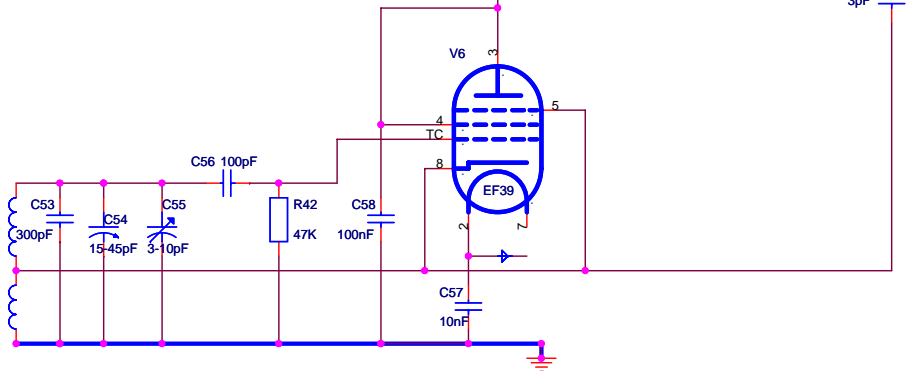


Voltages were measured with respect to chassis using a 20,000 ohms per volt meter.
 Range B Coil Unit in use and Receiver tuned to 22.5MHz with AVC and BFO switched off,
 the aerial being disconnected.
 A variation of 5% in H.T. supply is permissible.



Drawn by: Colin Hinson for RAF Henlow Signals Museum		
Title: EDDYSTONE 358X RECEIVER		
Size C	Document Number HSM1	Rev A
Date: Saturday, July 06, 2019	Sheet 1 of 1	